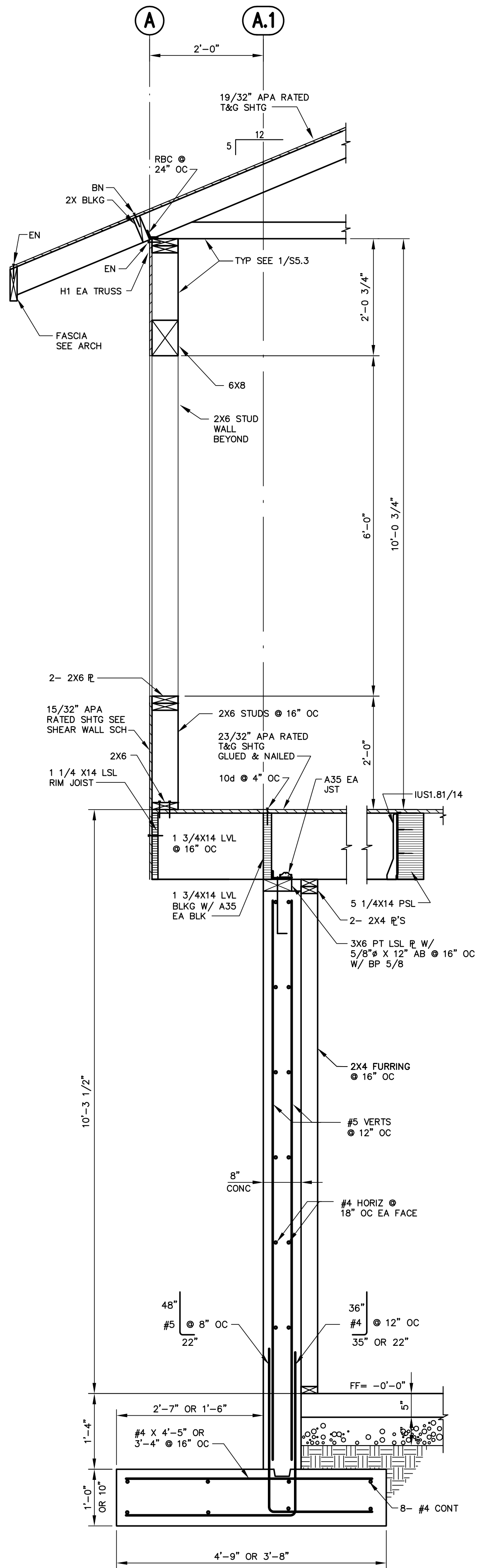


Click the **BACK** button to return to website



SECTION $\frac{3}{S5.3}$
SCALE: 3/4"=1'-0"